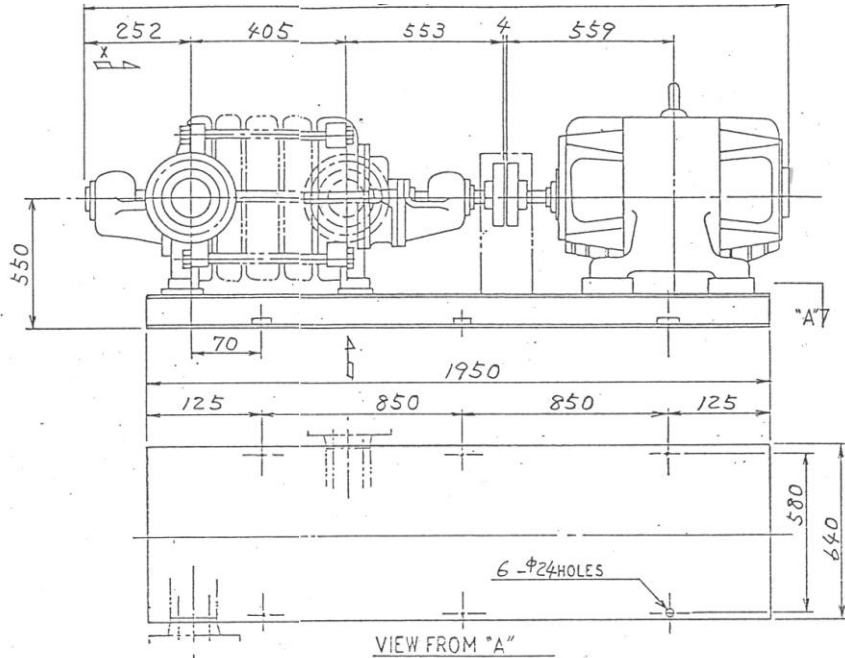
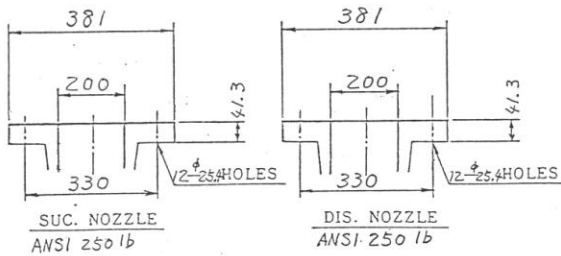


VIEW FROM X



VIEW FROM "A"



SUC. NOZZLE  
ANSI 250 1b

DIS. NOZZLE  
ANSI 250 1b

JOB NAME					
JOB No.			ITEM No.		
EBARA SERIAL No. R910368-02		CAPACITY m <sup>3</sup> /S	HEAD m	SPEED min <sup>-1</sup>	DRIVER HP
MODEL 200 MS 2 M	SET 3	0.06	100	1750	150
APP'D BY 	DATE	FOR MUNICIPAL COMPANIES OF CUCUTA LAS LOMAS PUMP STATION			
DSN'D BY		OUTLINE DRAWING			
CHK'D BY T. Yamamoto	DATE MAR. 30 1987				
EBARA CORPORATION		SCALE NONE	DWG No.	REV. 0	
		DOCUMENT No.	G1036802-103		REV. 0